

ZY105 Series

Permanent Magnet Brush DC Motors



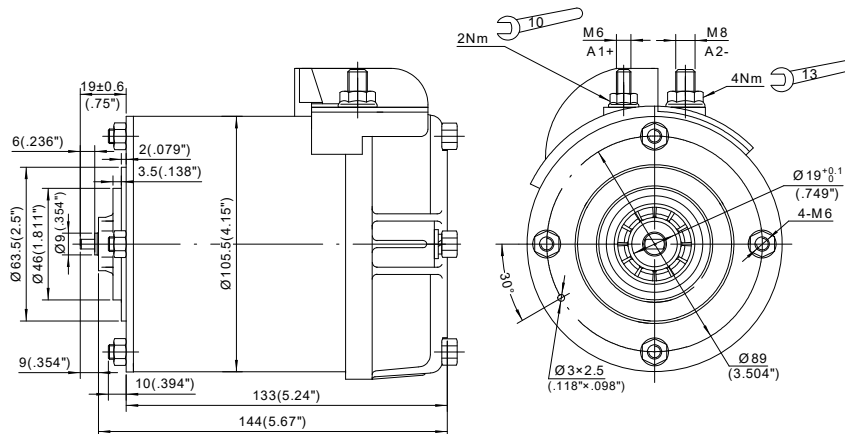
Technical Characteristics

- Insulation Class: F
- Protection Class: IP40
- Rotation: Reversible

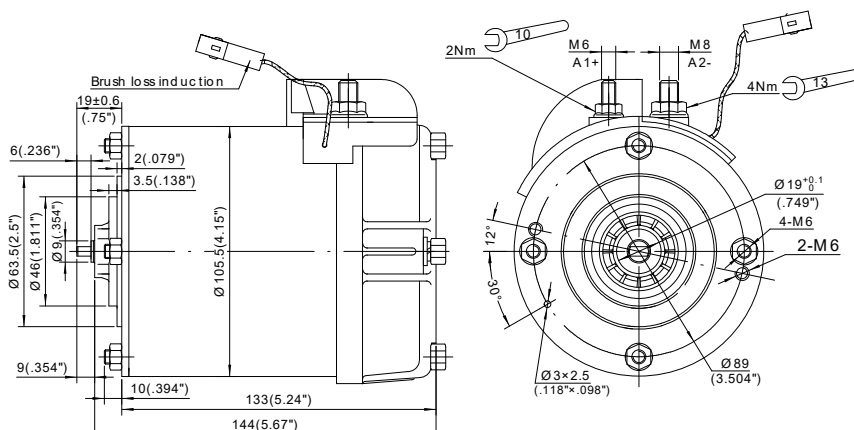
Type	Nominal Power	Rated Voltage	Speed	Duty	Excitation	Characteristic	Weight
ZY105-1.1-34-1	1100W	12V	3400RPM	S2-3 min, S3-10%	Permanent Magnets	Fig. D1	3.7kg (8.1lb)
ZY105-800-20-2	800W	24V	2000RPM			Fig. D2	
ZY105-1.0-40-2	1000W	24V	4000RPM			Fig. D3	
ZY105-1.2-34-2	1200W	24V	3400RPM			Fig. D4	
ZY105-600-20-4	600W	48V	2000RPM	S1	Fig. D5		

Outline Dimensions

Option 1:



Option 2:



ZY105 Series

Permanent Magnet Brush DC Motors

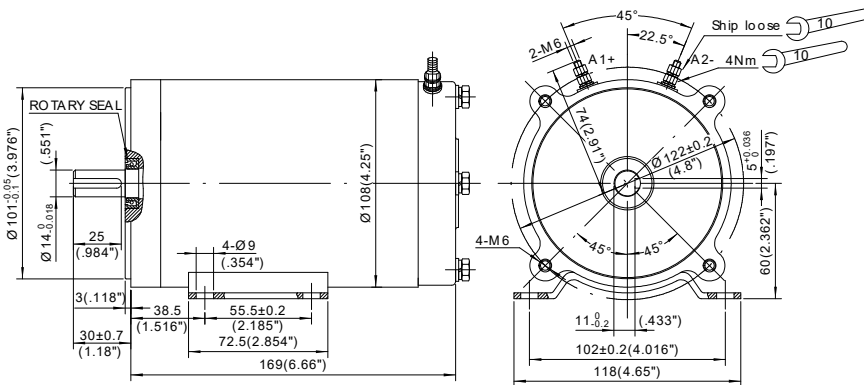


Technical Characteristics

- Insulation Class: F
- Rotation: Reversible

Type	Nominal Power	Rated Voltage	Speed	Protection Degree	Duty	Excitation	Characteristic	Weight
ZY105-450-25-1	450W	12V	2500RPM	IP54	S1	Permanent Magnets	Fig. D7	5.7kg
ZY105-450-25-2	450W	24V	2500RPM				Fig. D8	(12.5lb)

Outline Dimensions



Type	Nominal Power	Rated Voltage	Speed	Protection Degree	Duty	Excitation	Characteristic	Weight
ZY105-1.1-34-1C	1100W	12V	3400RPM	IP44	S2-3 min S3-10%	Permanent Magnets	Fig. D1	3.9kg (8.6lb)

Outline Dimensions

